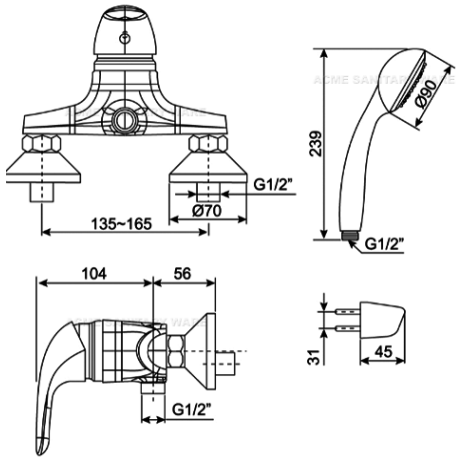
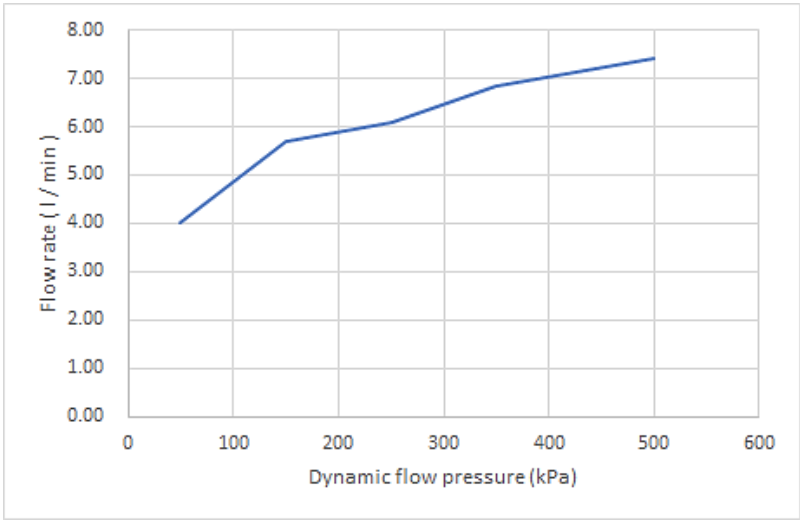




PROJECT		REF		REV	ITEM CODE	
LOCATION		DATE			PAGE	

SANITARY WARE SPECIFICATION SHEET

Item Descriptions	American Standard (PRC) "Saga" Exposed chrome plated shower only mixer ; nominated flow rate 8 L/min in WELS Grade 1 ; Registration No. SB 18-0146	<p align="center">Illustration/ Drawing</p>
Dimensions	Refer to drawing	
Model	WF-1512.701.50	
Finish	Chrome Plated	
Manufacturer	American Standard (PRC)	
Source	Acme Sanitary Ware Co. Ltd Mr. Eric Wong / Mr. Don Yuen	
Contact Tel/Fax	(852) 2388-7171 / (852) 2710-8012	
E-mail	acme@acmesanitary.com.hk	
Website	www.acmesanitary.com.hk	



Dynamic flow pressure (kPa)	50	150	250	350	500
Flow rate (l/min)	4.00	5.70	6.08	6.85	7.40

Note: Same product but different model no.:-
CF-1512.701.50 (PRC)

* All information of the above is for the reference only. No prior notice is made if any changes.

註冊號碼 (Registration No.): SB 18-0146



自願參與用水效益標籤計劃 - 沐浴花灑
Voluntary Water Efficiency Labelling Scheme - Showers for Bathing



茲證明
This is to certify that

將下列花灑在本計劃內註冊：
has registered the following shower under this scheme :

牌子 / Brand	:	American Standard
型號 / Model	:	CF-9015.001.50
原產地 / Country or Region Origin	:	China

在用水效益標籤上展示的標誌 <i>Symbolic Presentation on the Water Efficiency Label</i>	:	 滴水點 <i>Water droplet(s)</i>
用水效益級別 <i>Water Efficiency Grade</i>	:	1
耗水量 <i>Water Consumption</i>	:	8 公升/分鐘 <i>litres/minute</i>

簽發日期:
Date of Issue: 12 June 2018

 水務署
Water Supplies Department



水務署署長(周世威代行)
for Director of Water Supplies



香港環境事務大樓 48 樓
48/F, Innovation Tower, 7 Gloucester Road, Wan Chai, Hong Kong

本署編號 : (2) in WSD 3321/18 Pt.1 T/J(458)
Our ref.
來函編號 :
Your ref.

電話 :
Tel.
傳真 : 2824 0578
Fax.

21 June 2018

Approval of "AMERICAN STANDARD" Shower Mixers (General Acceptance No. C20180334)

Your letter ref. WRC/1759 dated 8 May 2018 refers.

Having considered the test report ref. J22959 issued on 30 April 2018 by Nutek Systems (HK) Ltd., this Authority accepts that the fittings described below comply with, and their use when correctly installed does not contravene, the Waterworks Ordinance and Regulations.

Name of Manufacturer: American Standard

Country of Origin: China

Brand: American Standard

Details of Fitting: 1/2" Wall mounted single lever shower mixer

Model: CF-1512.701.50
WF-1512.701.50

Body Markings: *American Standard*

Expiry Date: 26 April 2023



This Authority hereby permits the use of the above fittings in fresh water plumbing systems subject to full adherence to Waterworks installation requirements. In particular, you are required to draw your customers' attention to the following requirement-

"The cold water supply to the fittings shall be drawn from the same source that supplies the hot water apparatus so as to provide a balanced pressure and to obviate the risk of scalding in the event of a restriction or failure in the water supply." AND

"The shower head or handspray should not be placed in submerged conditions and should be securely fixed to the original position after use."

A condition of this acceptance is that the fittings to be installed shall be replicas of the samples as certified by the testing agent mentioned above and without modifications. This acceptance may be withdrawn at any time if the standard of the fittings installed fails to meet that of the approved samples or if the fittings are found to be unsuitable for use in fresh water plumbing systems.

This acceptance is only applicable to the main body of the fittings, unless other specified.

For the use of the fittings in any project, the General Acceptance Number of this letter must be quoted as a means of identification of acceptance of the fittings by this Authority.

Should you have any enquiries, please contact our Engineer Mr. Terry KUNG at tel. no. 3583 4086.

Yours faithfully,



(CHAN Chung-kun)

for Director of Water Supplies

Encl.

c.c. WSD 3321/1/82] - without catalogue
ME/MC] - with soft copy only